

KTSL7505A



产品说明：

铝压铸外壳，铝板旋压顶盖
二次配光技术
PC 扩散技术
整体密封结构

Product description:

Die cast aluminum housing, Aluminum sheet rotating cover
Double photometric diffuser technology
PC diffusion technology
Sealed lamp housing



配置数据 / Configuration Data:

产品型号 Product Code	额定功率 Rated Power	初始光通量 Luminous Flux			毛净重 G.W/N.W	包装尺寸 Packing Size
		WW	NW	CW		
KTSL7505A(20)	40W	3740	3850	3960	G.W/N.W: 10.5/9(kgs)	710x285x725mm
KTSL7505A(20)	50W	4565	4675	4851	G.W/N.W: 10.5/9(kgs)	710x285x725mm
KTSL7505A(20)	60W	5335	5500	5676	G.W/N.W: 10.5/9(kgs)	710x285x725mm

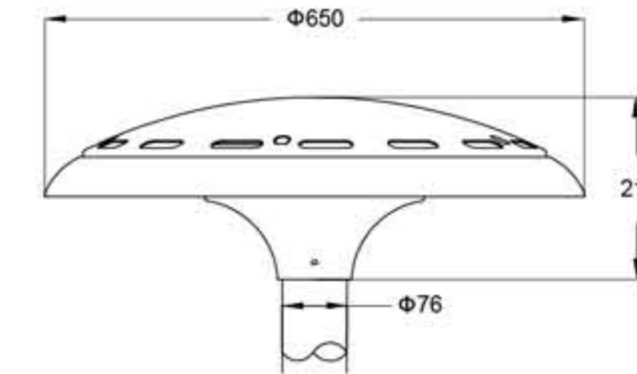
参考颜色 Reference color : RAL 7015 RAL 9005

Led Garden Lighting / 庭院灯



www.kontakledlight.com

灯具尺寸 Product Dimensions(mm)



配光曲线 Polar Diagram

